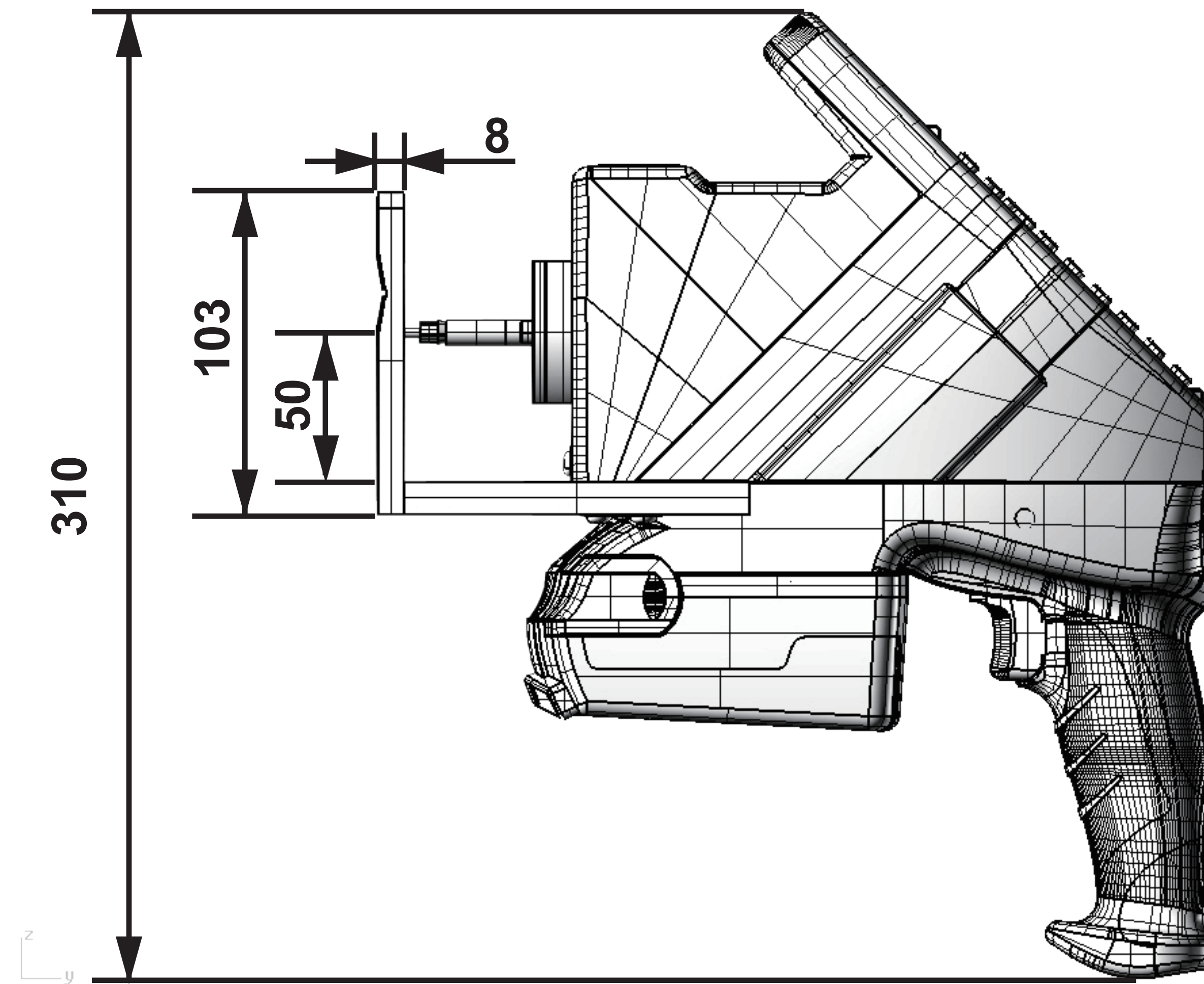
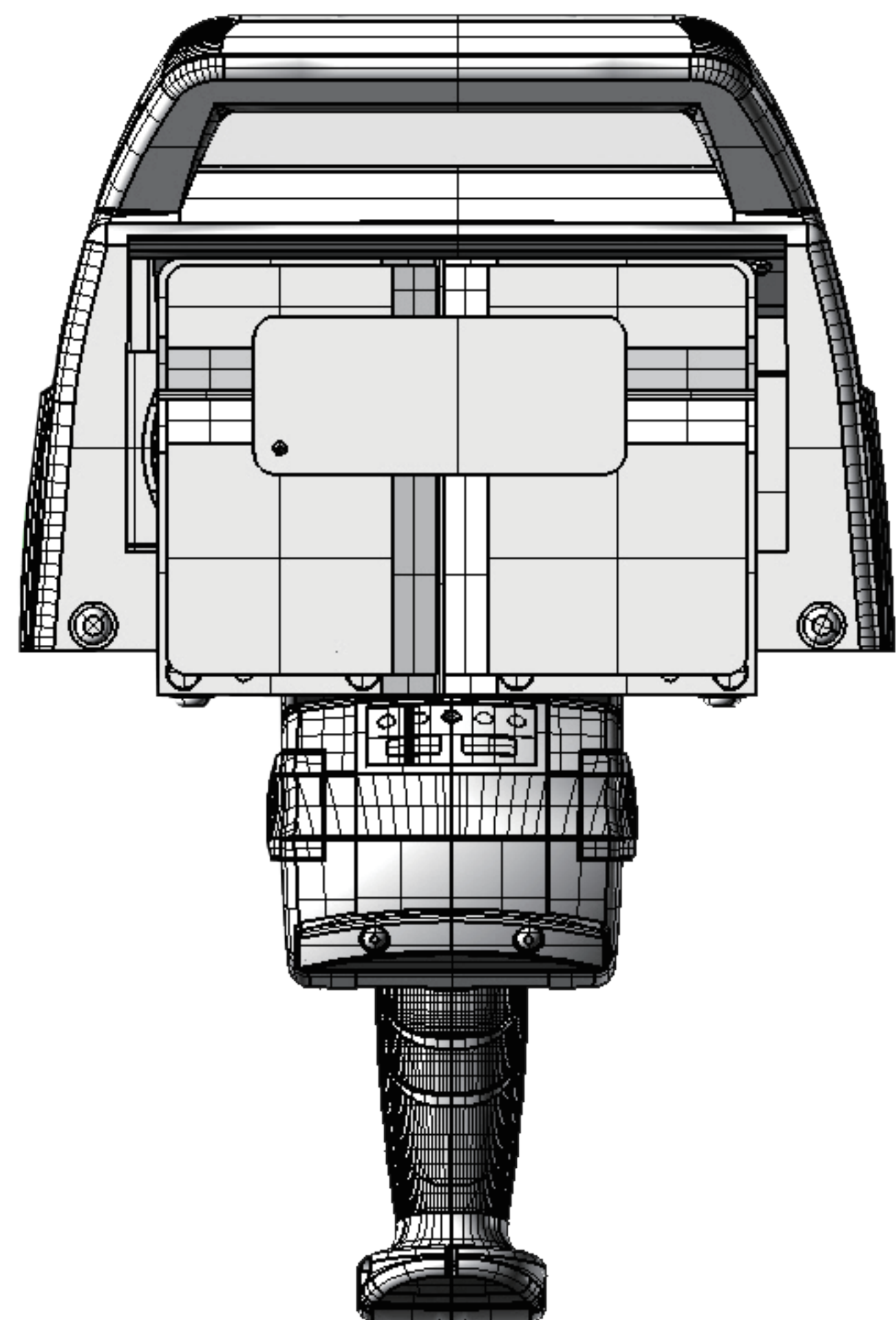
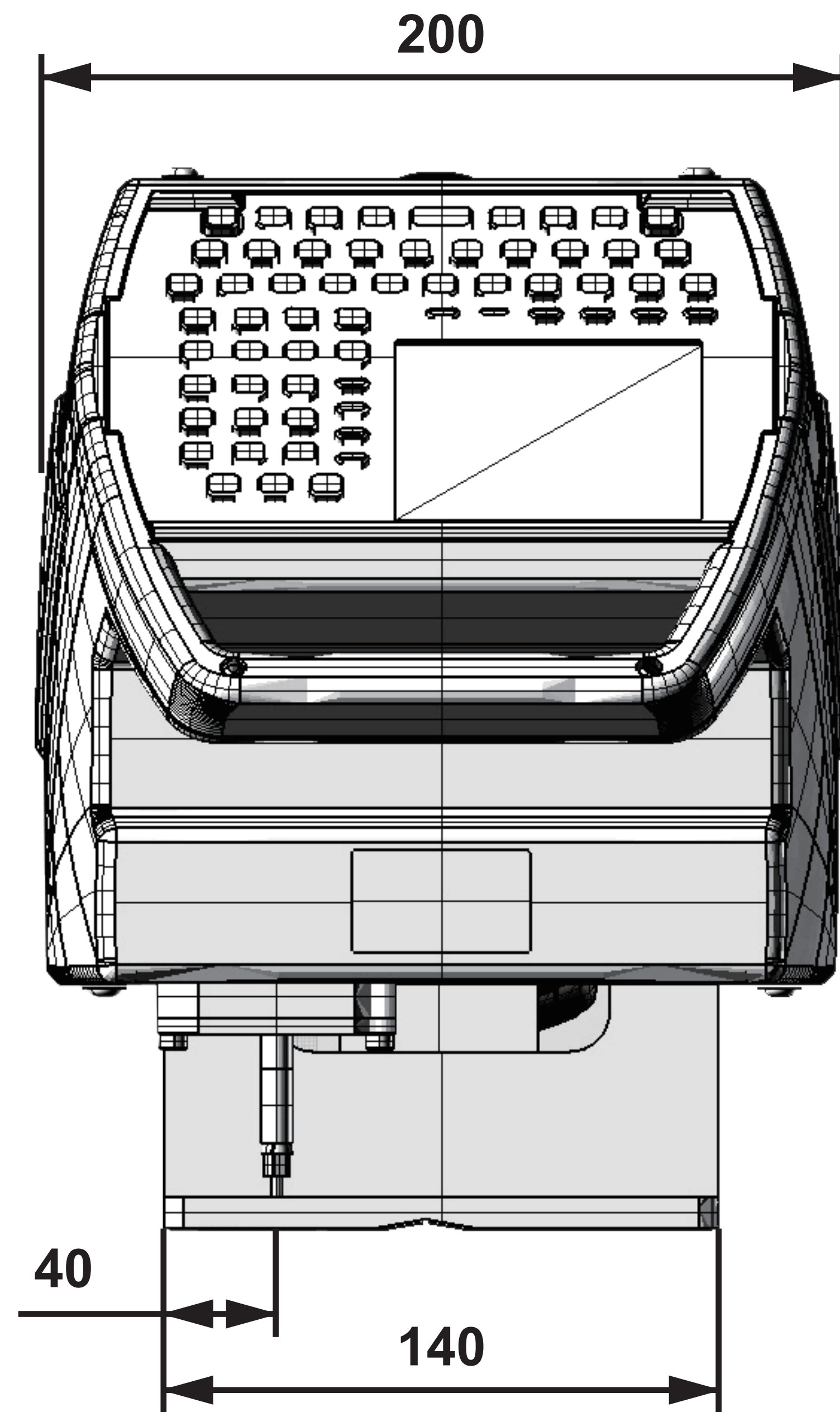


# FlyMarker® Pro



Marking area (x/y)	75 × 25mm, 120 × 25mm 75 × 45mm, 120 × 45mm
heights	1,0~24,9mm, 1,0~44,9mm
Fonts	5×7,9×13
Drive of the marking pin	Electromagnetic
Available characters	Figures 0- 9, Capital letters A-Z, Small letters a-z, Various punctuation marks e.g. . ; / , etc.
Interfaces	USB-A, USB-B, Ethernet
height compensation	up to max. 5 mm (constant marking depth also on uneven surfaces)
Weight	4.2 kg
Resolution of the stepping motor	0,05mm